

IQ[®]



Four-way Cassette



Standard

Optional

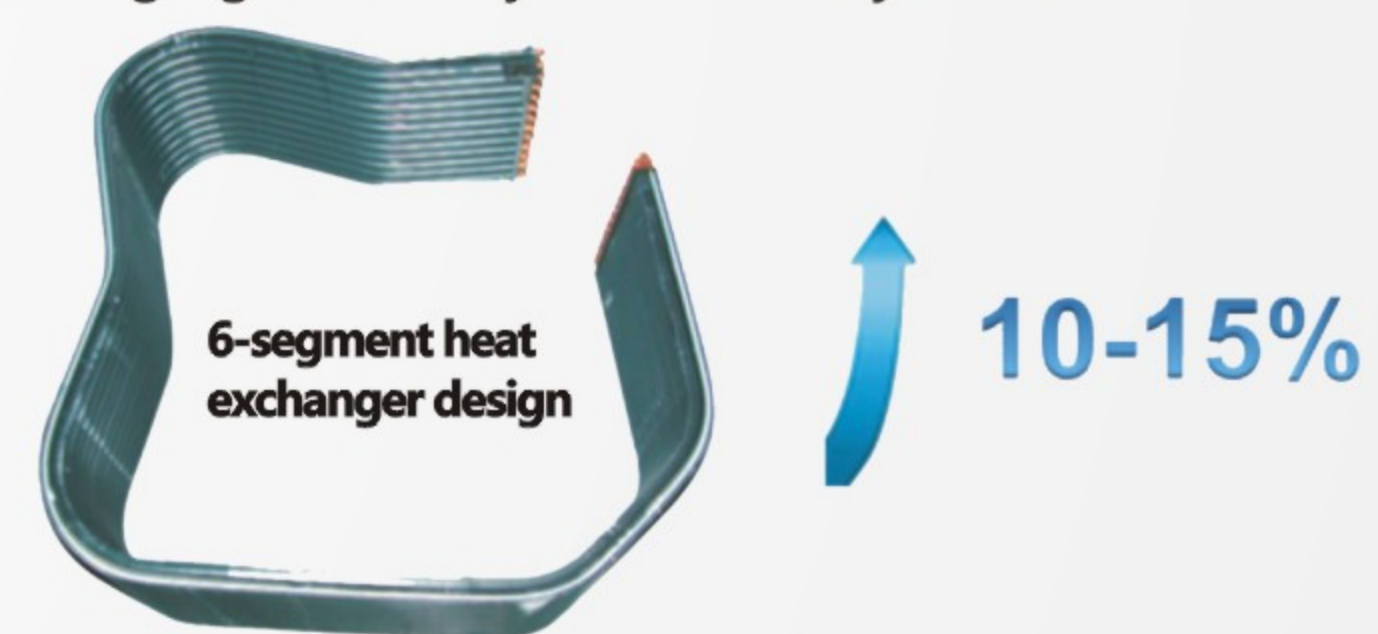
1. Quiet Operation

Innovative 3D spiral wind leaf, reduces the air power's consumption and noise, making the air supply more quietly and smoothly.



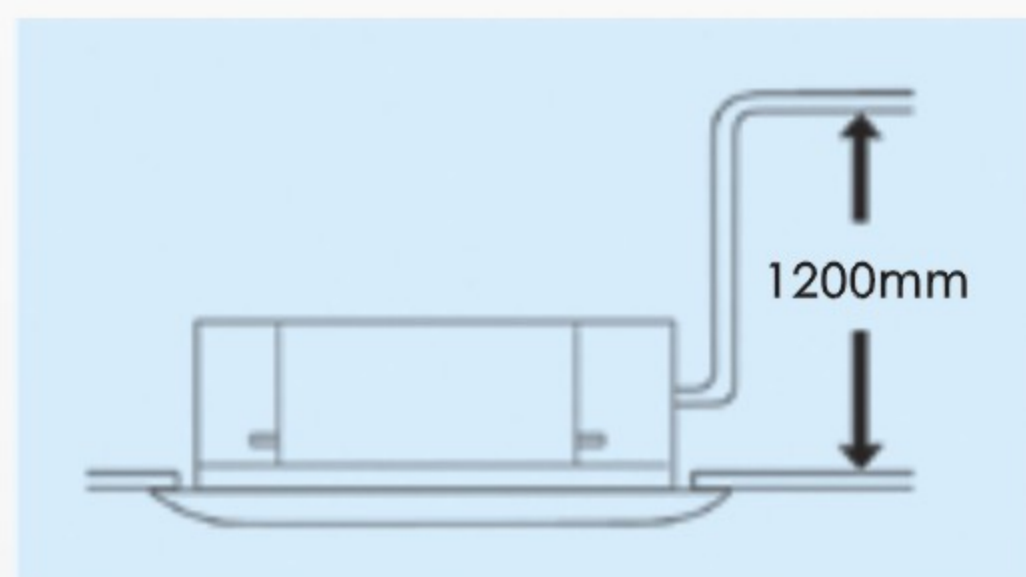
2.6-segment Heat Exchanger Design

Compact structure
Innovative exchanger design enlarges the heat exchanging area.
Heat exchanging efficiency increased by 10% to 15%.



3. Built-in Water Drainage Pump

The built-in pump can lift condensing water up to 1200mm high from the drainage pan.



4. Fresh Air Intake

Fresh air makes the quality of indoor air healthy and comfortable.



5. Duct Connection

Air duct can be connected from the 4 sides to nearby rooms.



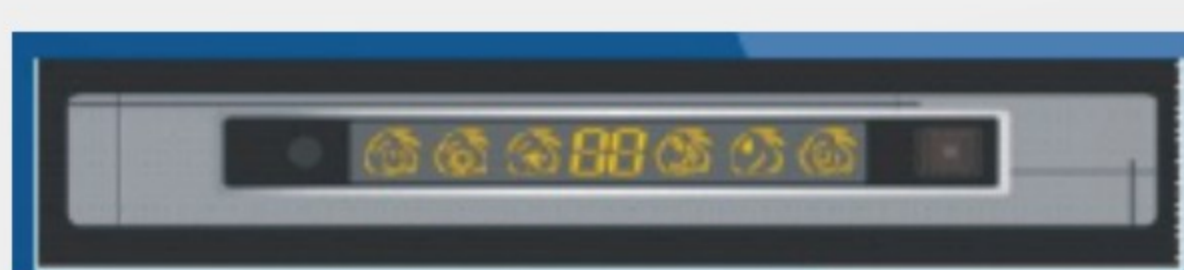
6. Never Leaking Water Collector

Innovative insulating foam structure and advanced plastic laminated coating process are adopted to make sure the water collector will never leak.



7. Digital Tube Display

Digital tube displays all contents: indoor temperature, set temperature, the mode of operation, etc.
Clearly to check the running status, more convenient for troubleshooting.



8. Independent Stepping Motor Control

Each blade is driven by an independent stepping motor, which makes the blades swing more flexibly.

9. Low Ambient Cooling

The unit has the feature that keeping running under low



Standard



Optional



12k Btu/h



18k Btu/h



24k Btu/h



36/42k Btu/h



48/60k Btu/h

Model			IQ-H12CA	IQ-H18CA	IQ-H24CA	IQ-H36CA	IQ-H48CA	IQ-H60CA
Capacity	Cooling	Btu/h	12000	18000	24000	36000	48000	60000
		KW	3.6	5.3	7.2	10.6	14.0	17.6
	Heating	Btu/h	13500	20000	27500	40000	53000	63500
		KW	3.9	5.8	8.08	11.7	15.5	18.5
Electric Date	Power Supply	V~,Hz,Ph	220~240,50,1	220~240,50,1	220~240,50,1	380~415,50,3	380~415,50,3	380~415,50,3
	Cooling Power Input	KW	1.19	1.76	2.39	3.77	4.87	5.71
	Heating Power Input	KW	1.20	1.80	2.50	3.50	5.13	6.00
	Cooling Current	A	5.49	8.08	11.06	6.76	8.88	10.42
	Heating Current	A	5.63	8.27	11.59	6.28	9.33	10.88
Performance	EER		3.03	3.01	3.01	2.81	2.87	3.08
	COP		3.25	3.22	3.24	3.34	3.02	3.08
	Air Flow Volume	m3/h	620	900	1300	1500	1800	1800
	Noise Level	dB(A)	≤41/53	≤41/55	≤45/60	≤48/60	≤50/62	≤50/62
Dimension (WxDxH)	Net(Body)	mm	615x615x263	615x615x263	835x835x240	835x835x240	835x835x280	835x835x280
	Packing(Body)	mm	700x700x330	700x700x330	910x910x320	910x910x320	910x910x360	910x910x360
	Net(Panel)	mm	650x650x55	650x650x55	950x950x55	950x950x55	950x950x55	950x950x55
	Packing(Panel)	mm	710x710x80	710x710x80	1000x1000x100	1000x1000x100	1000x1000x100	1000x1000x100
Weight	Net(Body)	kg	17.5	18	24	24	26.5	26.5
	Gross(Body)	kg	21.5	22	27.5	27.5	30.5	30.5
	Net(Panel)	kg	3	3	5	5	5	5
	Gross(Panel)	kg	5	5	7	7	7	7
Piping	Liquid Side	mm(inch)	6.35(1/4)	6.35(1/4)	9.52(3/8)	9.52(3/8)	9.52(3/8)	9.52(3/8)
	Gas Side	mm(inch)	12.7(1/2)	12.7(1/2)	15.88(5/8)	15.88(5/8)	19.05(3/4)	19.05(3/4)
	Drainage	mm	R3/4in(DN20)	R3/4in(DN20)	R3/4in(DN20)	R3/4in(DN20)	R3/4in(DN20)	R3/4in(DN20)
Application Area		m2	13-21	21-35	28-47	42-70	56-93	64-107

**The Ultimate in
Aircon Technology**